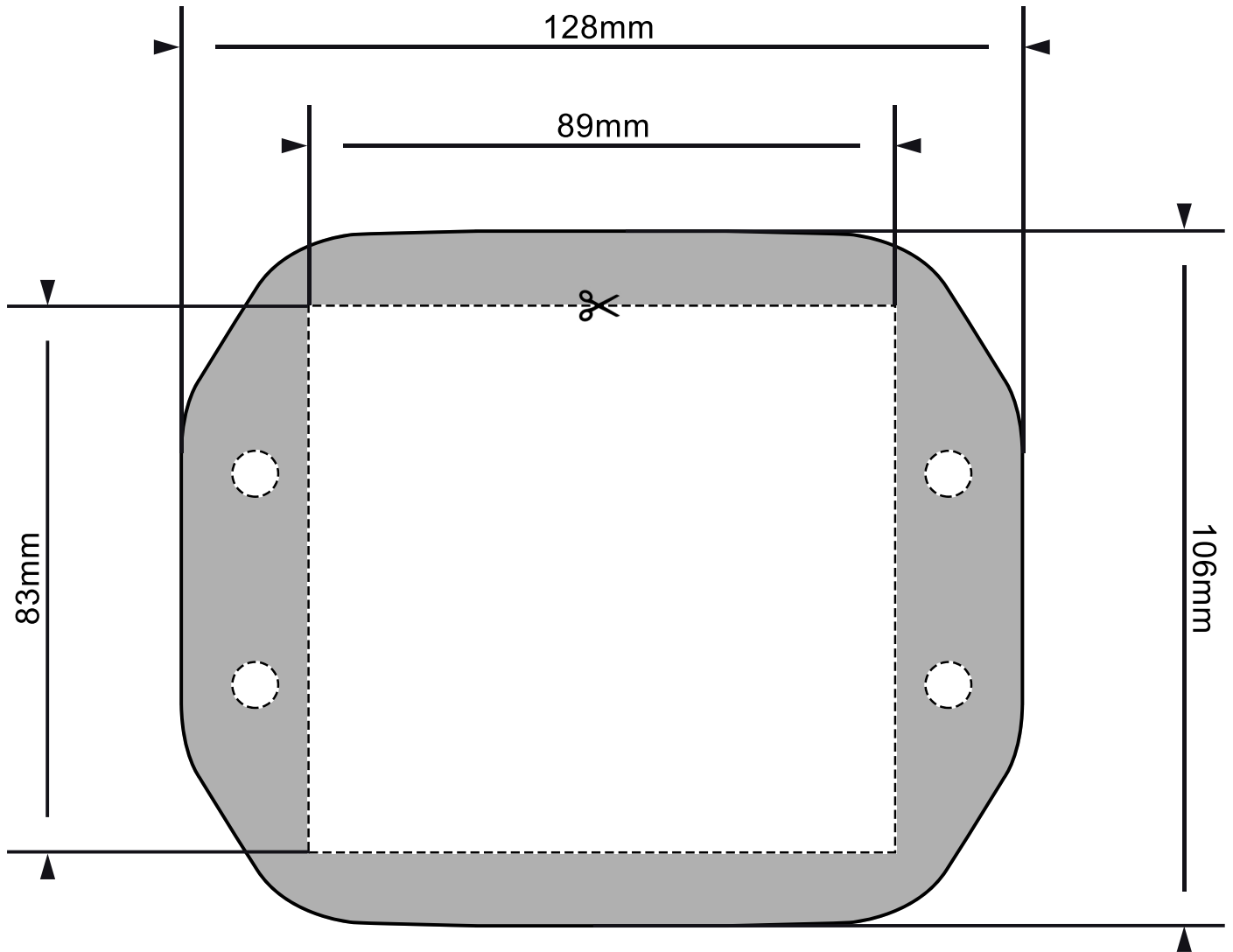


Where possible, STEDI highly recommends using a certified professional to install and wire your light. Print on A4 for correct scale.



**Notes:**

Make sure you cut on the line as we have allowed for a little bit of movement. Only install on a flat surface ensuring mounting position allows for 71mm of depth. For more information including wiring instructions, visit [support.stedi.com.au](http://support.stedi.com.au).